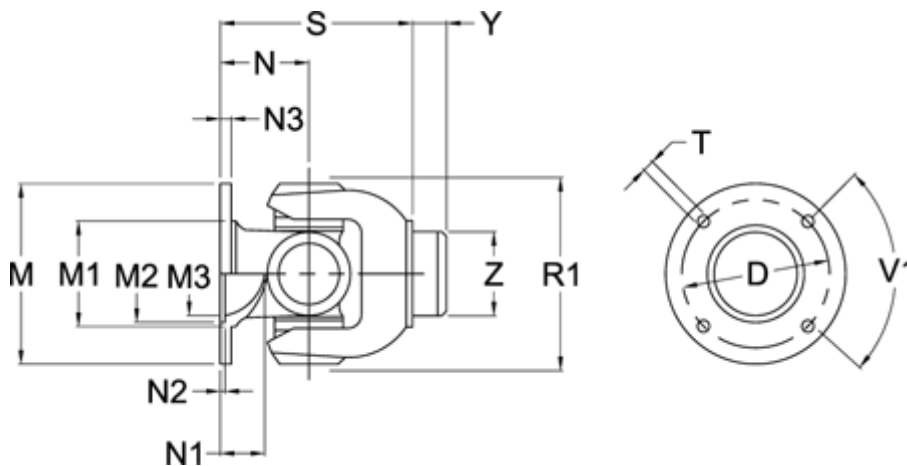


Article number: 07106050001

Description: Universal joint single 0.106.050.001
S=64 X= Bore with keyway

Measures



D	= 52 +-0,1	N2	= 1,7 +0,3	Z = 29.25
Flange diameter M	= 65	N3	= 4	
M1	= 38	Number of Flangeholes	= 4	
M2	= 35	R1	= 60	
M3	= 30	S min	= 64	
Max. Bending Angle degrees	= 30	T	= 6 B12	
N	= 32	V1 degrees	= 90	
N1	= 12.5	Y	= 13	